

Bag closing machines of the SVT Series

Double-fold closure secured with sealing tape



FTS

- For double-fold closures secured with sealing tape on open paper bags, with or without plastic inner liners or respectively plastic inner-coatings
- Continuous operation for every line capacity
- The double-fold effectively reduces pressure on the inner seal
- Easy to operate and maintain thanks to good accessibility
- Tear-off strip applicator optional

Machine type
FTS



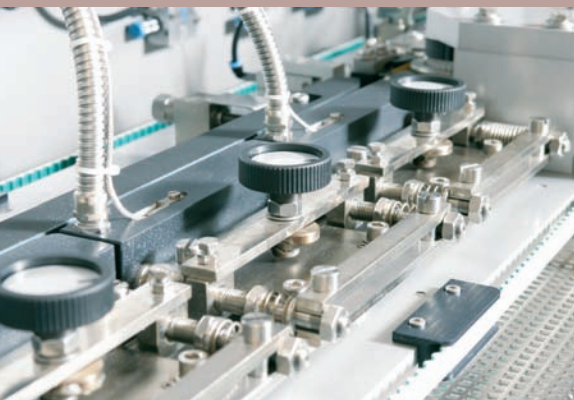
Spreader-feeder (ASF)



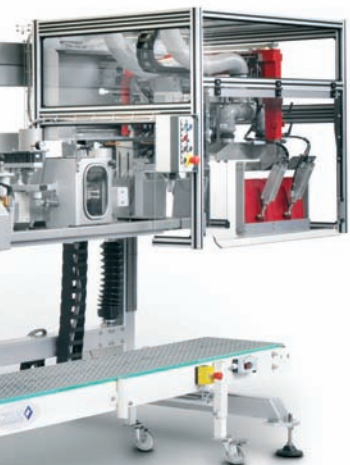
Heating section for inner-liner sealing



Machine type FTS 1200 with ASF



Sealing tape application



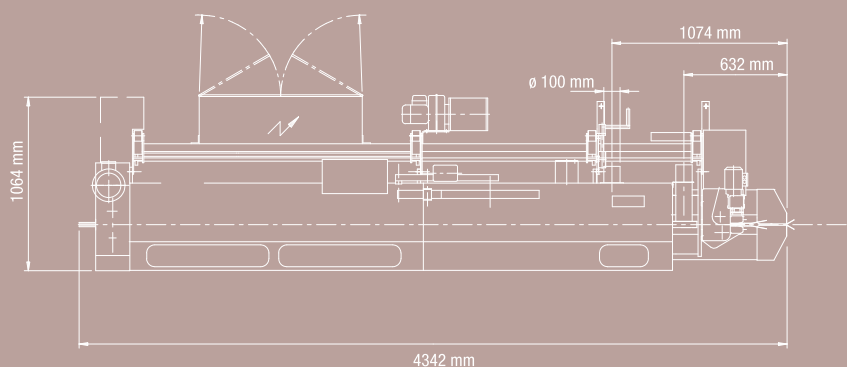
Technical data

TYPE	HEATING SECTION
FTS	—
FTS 800	4 x 200 mm
FTS 1200	6 x 200 mm
FTS 1800	9 x 200 mm

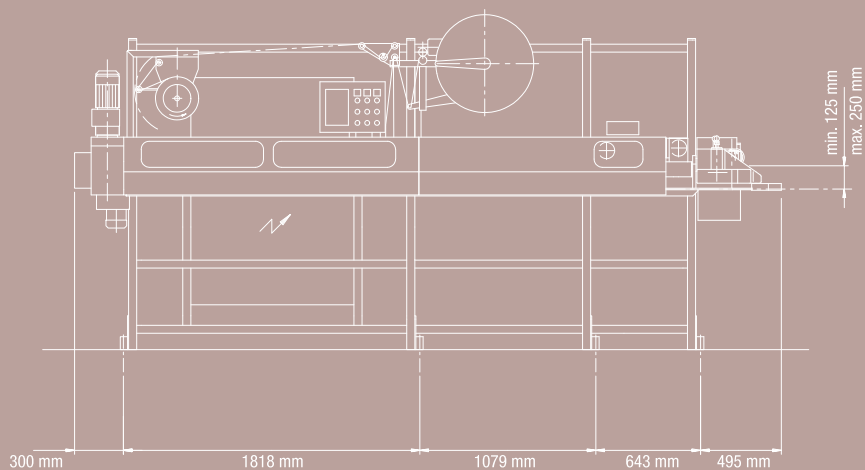
Technical specifications

Length	2,700–5,400 mm
Width	1,080 mm
Height	1,910–2,610 mm
Weight	650–1,200 kg
Speed	10–22 metres/minute
Active output	0.37–0.55 kW
Heating output	1.4–9.5 kW
Bag width	160–650 mm

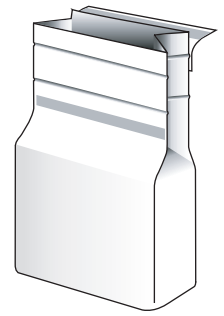
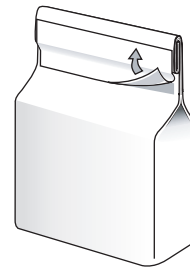
In the execution with the tear-off strip applicator, the length of the machine is 260 mm longer.



Top view of the machine type FTS



Side view of the machine type FTS



Closure in standard version

With the FTS bag closing machines, paper bags with or without plastic inner liners can be hermetically sealed.

Types of products

Meypack
Verpackungssystemtechnik GmbH

Industriestraße 3
D-48301 Nottuln-Appelhülsen
Tel.: +49(0)2509-940
Fax: +49(0)2509-948190
info@meypack.de
www.meypack.com